

GENERAL SITE NOTES:

CONTRACTORS AND OTHER USERS OF THIS PLAN ARE HEREBY WARNED THAT APPROVAL OF THIS PLAN BY THE PROPER OFFICIALS AND REGULATORY OFFICIALS IS REQUIRED PRIOR TO CONSTRUCTION. ALL CONTRACTORS AND USERS OF THIS PLAN MUST BE CERTAIN THAT THEY ARE USING AN APPROVED PLAN FOR CONTRACT AND CONSTRUCTION PURPOSES AND THAT ALL REQUIRED PERMITS ARE IN PLACE AND ANY REQUIRED NOTIFICATIONS HAVE BEEN MADE PRIOR TO COMMENCING CONSTRUCTION.

THE PIPE BETWEEN THE HOUSE AND EXISTING SEWER LATERAL SHALL BE 4 INCH PVC SCH-40, PVC SDR-35, ASTM D1785 PRESSURE WATER PIPE, OR ANY OTHER STATE APPROVED PIPE AND JOINTS WHICH CONFORM TO SECTION 19-13-b103 OF THE CONNECTICUT PUBLIC HEALTH CODE. THE PIPE IS TO BE LAID ON A UNIFORM GRADE (AS SET BY THE LENGTH AND INVERTS SHOWN) AND IN A STRAIGHT LINE.

ANY PIPE BEND OR CUMULATIVE PIPE BENDS IN EXCESS OF 45 DEGREES WILL REQUIRE THE INSTALLATION OF ACCESSIBLE MANHOLES OR CLEAN OUTS.

ANY FILL SHALL BE PLACED IN 6 INCH LIFTS AND COMPACTED BY ONE OR MORE COMPLETE PASSES OF TRACKED OR RUBBER WHEELED EARTH MOVING MACHINERY.

STONE SHALL BE CLEAN 1 INCH DIAMETER (WASHED) BANK RUN OR CRUSHED STONE MEETING CONNECTICUT DEPARTMENT OF TRANSPORTATION FORM 817 SPECIFICATION M.01.01 FOR NO. 4 STONE AND SHALL SHOW A LOSS OF ABRASION OF NOT MORE THAN 50% USING AASHTO METHOD T-96. INSTALLERS ARE HEREBY WARNED THAT LEACHING STONE CONTAINING DIRT, DEBRIS, PAVEMENT PIECES, WOOD, ETC., IS NOT ACCEPTABLE FOR INSTALLATION AND SHALL NOT BE UTILIZED.

A LAYER OF APPROVED NON-WOVEN FILTER FABRIC SHALL BE PLACED OVER ALL STONE USED IN LEACHING SYSTEM CONSTRUCTION, OR FOOTING DRAIN INSTALLATION BEFORE BACK FILLING.

AFTER THE HOUSE AND GARAGE HAVE BEEN CONSTRUCTED AND FILL HAS BEEN PLACED TO NEAR FINISHED GRADE, A 4 INCH MINIMUM LAYER OF TOPSOIL SHALL BE SPREAD AND GRADED TO THE ELEVATIONS SHOWN ON THE PLAN BY THE RECORD INSTALLER. THE ENTIRE DISTURBED AREA SHALL BE FERTILIZED, LIMED, SEED, ROLLED AND MULCHED WITH HAY OR EQUAL. THE DISTURBED AREA SHALL BE MAINTAINED INCLUDING ANY NECESSARY ADDITIONAL GRADING AND RESEEDING BY THE CONTRACTOR UNTIL RELIABLE GROUND COVER IS PERMANENTLY ESTABLISHED.

THE GROUND SURFACE OVER THE ENTIRE SITE SHALL BE GRADED AND MAINTAINED TO DRAIN SURFACE WATER AWAY FROM THE PROPOSED STRUCTURES AND DRINKING WATER WELL.

POSITIVE PITCH DIRECTING STORM WATER AWAY FROM ANY RISER COVER AND/OR MANHOLE COVER SHALL BE PROVIDED.

THE FINISHED FLOOR AND/OR TOP OF FOUNDATION ELEVATIONS SHOWN ON THIS PLAN ARE APPROXIMATE. THEY MAY BE RAISED BUT NOT LOWERED UNLESS APPROVED BY THE ENGINEER. THE CONTRACTOR SHALL CONFIRM THE RELATIVE ELEVATIONS OF THE TOP OF WALL, AND FINISHED BASEMENT FLOOR, PRIOR TO INSTALLING THE FOUNDATION FOOTINGS.

THE WELL MUST MAINTAIN A MINIMUM SEPARATING DISTANCE OF 75 FEET FROM ANY PART OF THE PRIMARY OR RESERVE LEACHING AREA OR SEPTIC TANK, NOR CAN BE LOCATED CLOSER THAN 25 FEET TO THE HOUSE FOOTING DRAIN OR ANY DRAIN CARRYING SURFACE WATER.

NO BURYING OF STUMPS OR ROCKS SHALL BE PERMITTED ON THIS SITE.

ALL CULVERTS SHALL BE PVC SDR-35, ADS N-12, OR APPROVED EQUAL. ALL CULVERTS INSTALLED SHALL BE BACKFILLED CAREFULLY WITH SELECT MATERIAL, AND COMPACTED TO AVOID ANY MEASURABLE SETTLEMENT. ALL CULVERTS ARE TO BE LAID ON A UNIFORM GRADE (AS SET BY LENGTH AND INVERTS SHOWN) AND IN A STRAIGHT LINE.

THE CONTRACTOR AND/OR OWNER MUST COMPLY WITH ALL RELEVANT TOWN AND STATE HEALTH DEPARTMENT REGULATIONS DURING CONSTRUCTION OF THE SEPTIC SYSTEM DETAILED ON THIS PLAN.

ALL BENCHMARKS AND TOPOGRAPHY SHALL BE VERIFIED BY THE CONTRACTOR PRIOR TO THE START OF CONSTRUCTION. TOPOGRAPHY AS SHOWN IS FROM FIELD SURVEY PERFORMED BY TOWNE ENGINEERING, INC.

PRIOR TO ANY EXCAVATION ALL CONTRACTORS MUST CALL "CALL BEFORE YOU DIG" AT 1-800-922-4455 AND HAVE ALL UTILITIES MARKED ON THE GROUND.

EROSION AND SEDIMENTATION CONTROL NOTES

PROJECT DESCRIPTION:
THE PROJECT CONSISTS OF A PROPOSED SINGLE FAMILY DWELLING, GARAGE, ASSOCIATED UTILITIES, DRAINAGE IMPROVEMENTS AND DRIVEWAY.

CONSTRUCTION SCHEDULE:

1. INSTALL HAY BALES OR SILT FENCE AS SHOWN ON THE PLAN.
2. STRIP AND STOCKPILE TOPSOIL.
3. EXCAVATE & REBUILD RETAINING ON THE WEST EDGE OF THE SITE
4. REMOVE ANY UNSUITABLE FILL FROM THE HOUSE AND GARAGE SITE AND DISPOSE OF OFF SITE
5. ROUGH GRADE DRIVEWAY AND HOUSE SITE, AND INSTALL WELL
6. CONSTRUCT HOUSE, GARAGE, LEACHING SYSTEM, AND INSTALL ALL UTILITIES AND ACCESSORIES.
7. FINISH GRADE SITE AND DRIVEWAY. FERTILIZE, SEED AND MULCH DISTURBED AREAS.

ALL SOIL EROSION AND SEDIMENTATION CONTROL MEASURES SHALL BE INSTALLED PRIOR TO OR THE START OF CONSTRUCTION AND SHALL REMAIN IN EFFECT UNTIL ALL DISTURBED AREAS ARE STABILIZED.

OPERATION AND MAINTENANCE:
IN GENERAL, EROSION AND SEDIMENTATION CONTROL AND RESTORATION MEASURES SHALL CONFORM TO THE "2002 CONNECTICUT E & S GUIDELINES" AS PUBLISHED BY THE DEEP AND TO LOCAL TOWN REQUIREMENTS.

THE CONTRACTOR SHALL MAKE DAILY INSPECTIONS OF THE SITE TO ENSURE EFFECTIVENESS OF EROSION AND SEDIMENT CONTROL MEASURES AND IMMEDIATELY MAKE NECESSARY REPAIRS.

ALL CONSTRUCTION TRAFFIC SHALL ENTER AND LEAVE BY THE CONSTRUCTION ENTRANCE AS SHOWN ON THE PLAN.

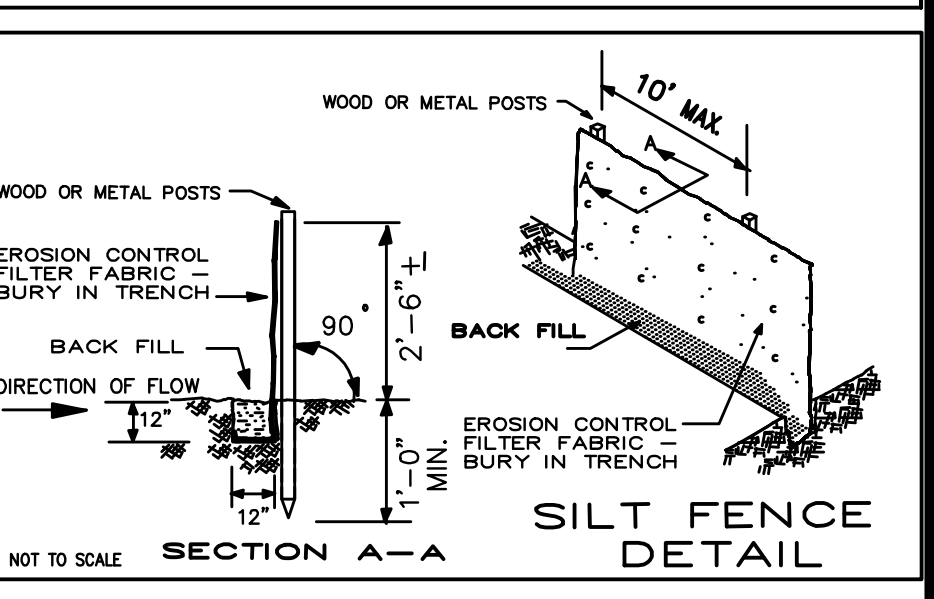
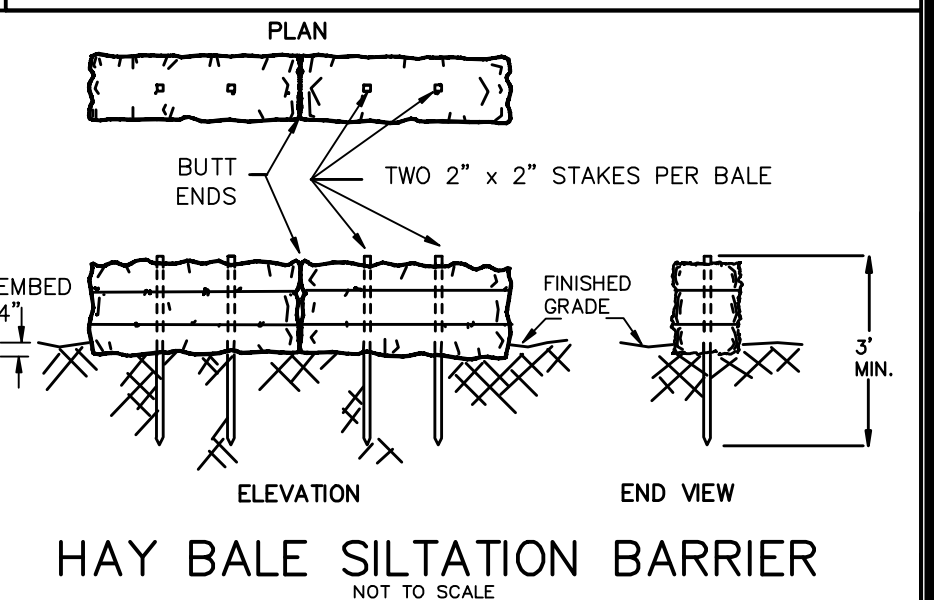
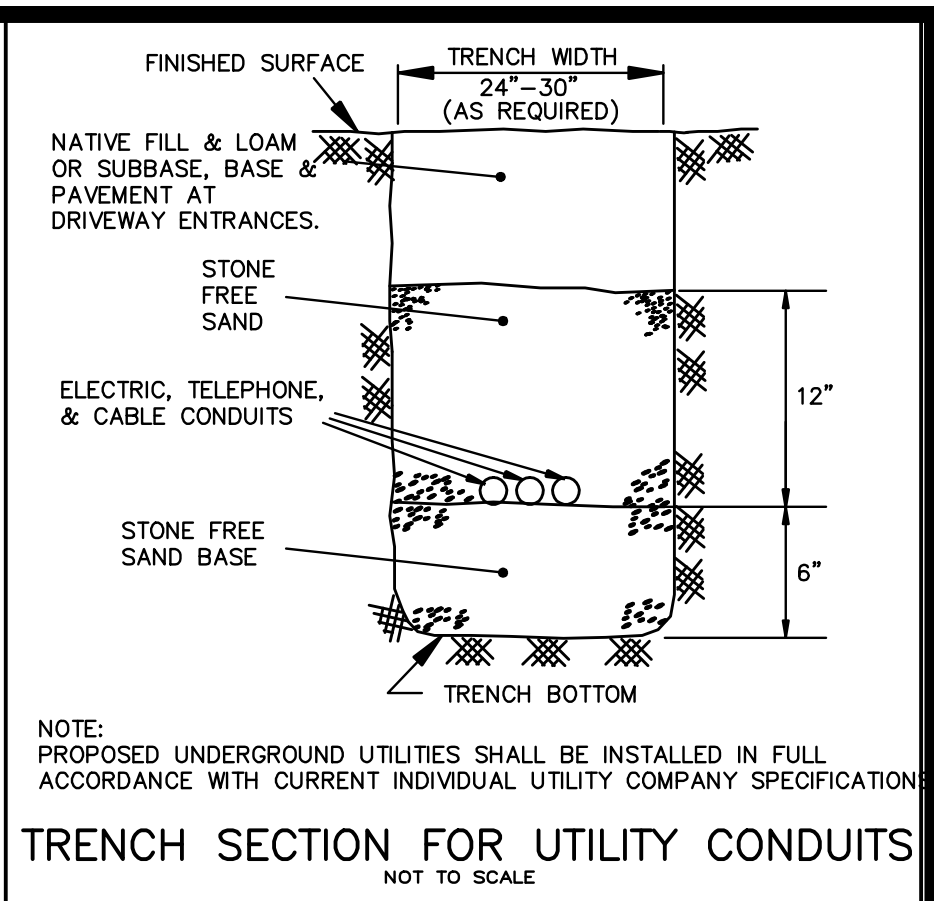
WHEN IT IS NOT POSSIBLE TO PERMANENTLY STABILIZE A DISTURBED AREA OR WHEN GRADING ACTIVITY HAS TEMPORARILY CEASED FOR A PERIOD OF TIME EXPECTED TO EXCEED ONE MONTH, TEMPORARY SOIL EROSION CONTROL MEASURES SHALL BE IMPLEMENTED AND MAINTAINED UNTIL PERMANENT CONTROL MEASURES ARE IMPLEMENTED.

ADDITIONAL SEDIMENTATION AND/OR EROSION CONTROL MEASURES IF REQUESTED BY THE TOWN SHALL BE INSTALLED IMMEDIATELY UPON REQUEST.

ALL DISTURBED AREAS SHALL BE PROTECTED WITH A MINIMUM VEGETATION COVER AS SHOWN IN ACCOMPANYING CHART.

THE CONTRACTOR SHALL PLAN ALL LAND DISTURBING ACTIVITIES IN A MANNER AS TO MINIMIZE THE EXTENT OF THE DISTURBED AREAS.

THE CONTRACTOR HEREBY ACKNOWLEDGES HIS RESPONSIBILITY TO INSTALL SOIL EROSION AND SEDIMENTATION CONTROL MEASURES ON THIS SITE AND THAT HIS FAILURE TO INSTALL AND MAINTAIN THESE DEVICES COULD RESULT IN FINES OR SUSPENSION OF WORK.



VEGETATIVE COVER FOR DISTURBED AREAS

SEEDING SCHEDULE

SEED MIX	SEEDING SEASON
TEMPORARY 100% ANNUAL RYEGRASS	MARCH 1 TO JUNE 15 AUGUST 15 TO OCT. 1
PERMANENT 45% KENTUCKY BLUEGRASS 45% CREEPING RED FESCUE 10% PERENNIAL RYE GRASS (OR EQUAL)	APRIL 15 TO JUNE 15 AUGUST 15 TO SEPT. 15

APPLICATION RATES PER 1000 S.F.

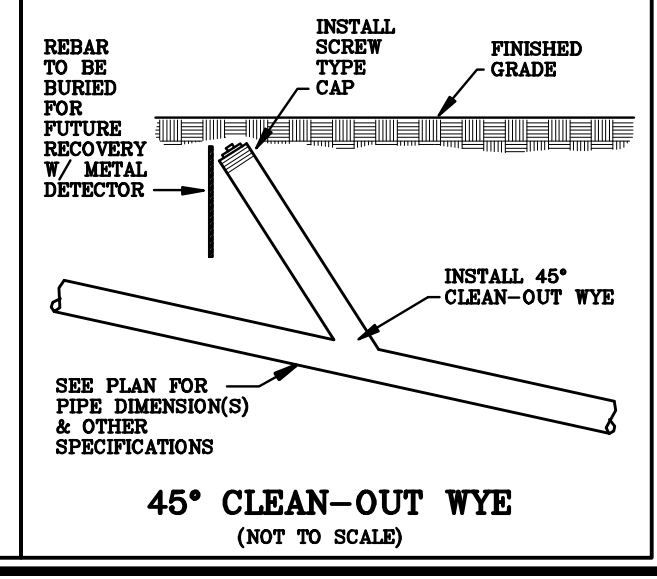
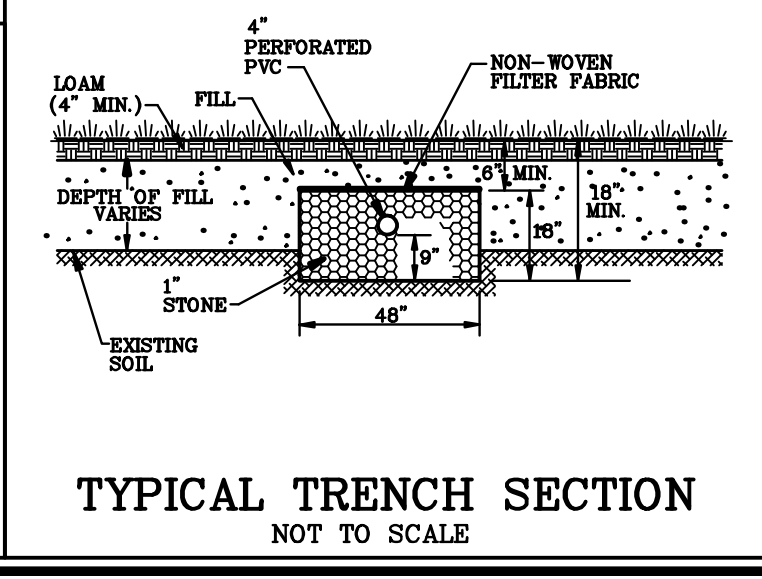
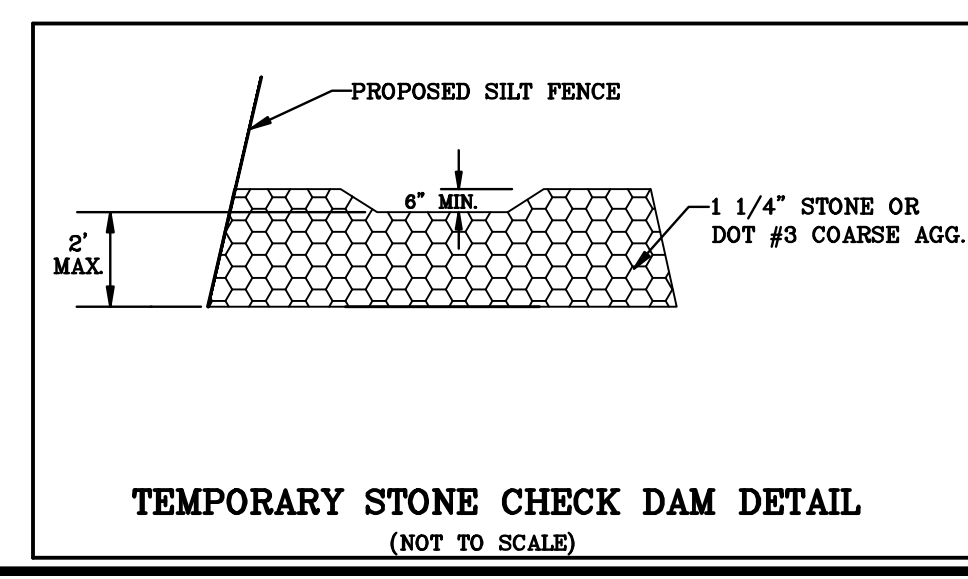
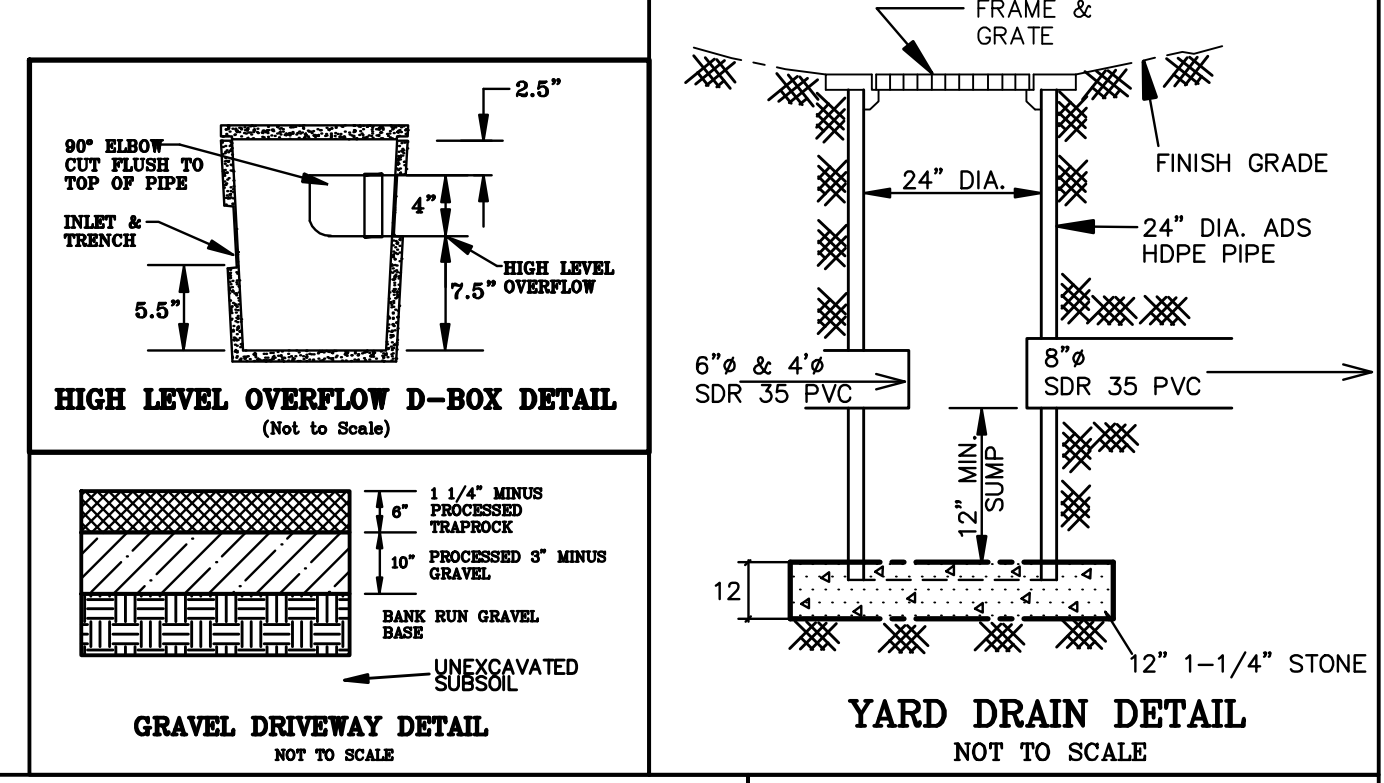
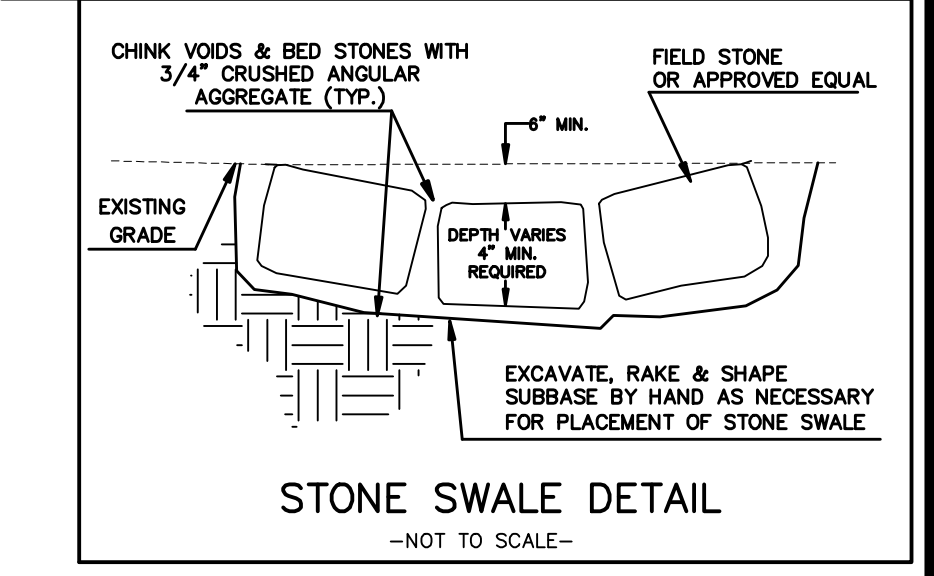
SEED MIX	FERTILIZER (10x10x10)	LIME	HAY MULCH
TEMPORARY 1 LB.	7.5 LBS.	45 LBS.	70-90 LBS.
PERMANENT 1 LB.	7.5 LBS.	90 LBS.	70-90 LBS.

TEMPORARY MULCH

TO BE USED IN AREAS WHICH CANNOT BE SEEDD WITHIN THE SPECIFIED SEEDING SEASONS.

APPLICATION RATE 70-90 LBS./1000 SF

ASPHALT OR SYNTHETIC LIQUID MULCH BINDER SHALL BE APPLIED OVER ALL HAY MULCH AT THE RATES SPECIFIED BY THE MANUFACTURER.



TOWNE ENGINEERING, INC.
CIVIL ENGINEERS AND LAND SURVEYORS

ROUTE 32 AND RICHMOND LANE, SOUTH WINDHAM CT
TEL (860) 423-6371/889-2100 FAX 423-5470

ZONING LOCATION SURVEY
PREPARED FOR
THOMAS ARCHAMBAULT

285 WOODLAND ROAD COVENTRY, CONNECTICUT

DATE	REVISIONS	BOOK NO.	DRAWN	SHEET NO.
01/24/2020	4/16/2020	488	JHB	2 OF 2

SCALE	DISC NO.	DESIGNED	JOB NO.
AS NOTED	19-098.CRD	JHB	

CAD DWG.	CHECKED	DATE
MDM	MDM	19-098